

BUSHBABY PARTS CATALOGUE – ENGINE INSTALLATION

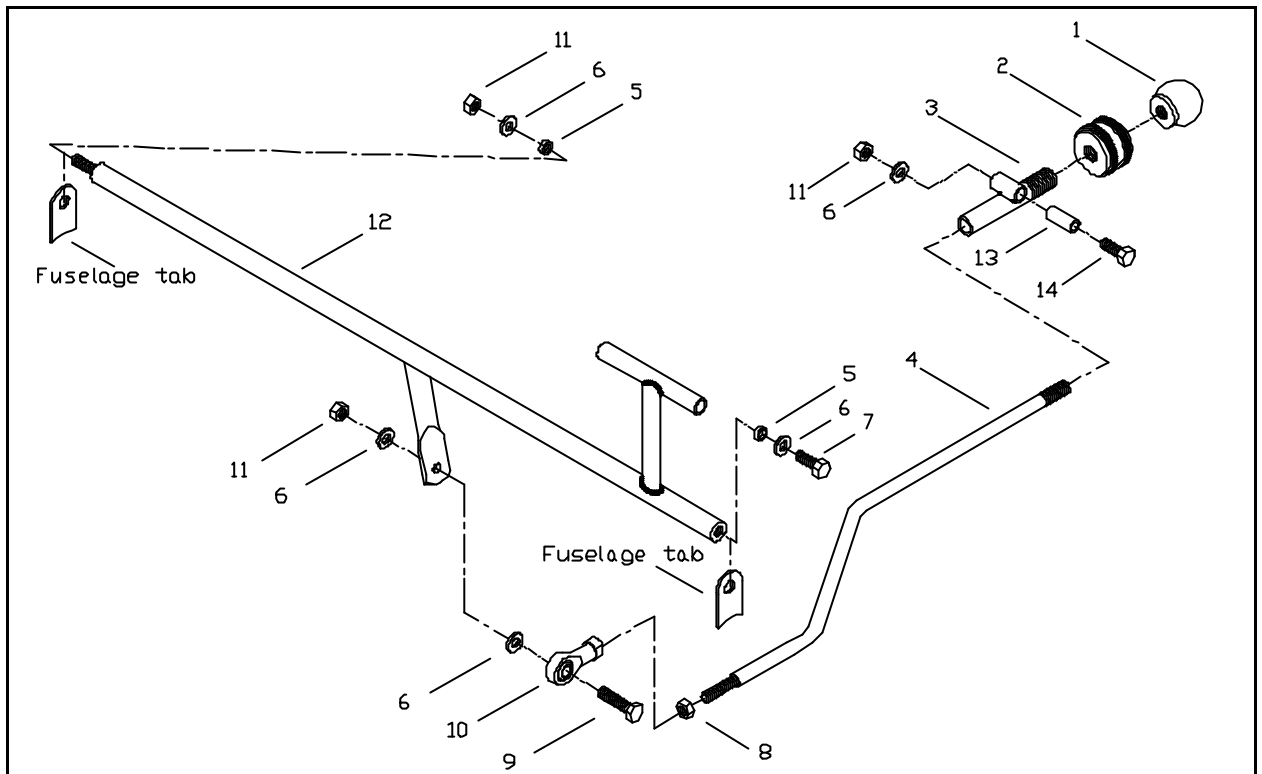


Fig Ref No:	Part Number	Part description	Qty Per assembly	Notes
1	ET-1E	Knob, throttle	1	
2	ET-1C	Friction nut	1	
3	ET-1A	Throttle body	1	
4	ET-1B	Throttle rod	1	
5	BB8003	Bronze bush. Ø 8 x 3mm	2	
6	W006	Washer M6	5	
7	B0620	Bolt 6 x 20	1	
8	N006	Nut, M6	1	
9	B0630	Bolt 6 x 30	1	
10	ET-9	Rod-end bearing. Female M6	1	
11	NY006	Nylock, M6	3	
12	ET-7B	Throttle bell crank, 582	1	912 = ET-7A
13	ET-6	Nylon bush. Ø 8 x 20mm		
14	B0635	Bolt 6 x 35	1	

THROTTLE ASSEMBLY

BUSHBABY PARTS CATALOGUE – ENGINE INSTALLATION

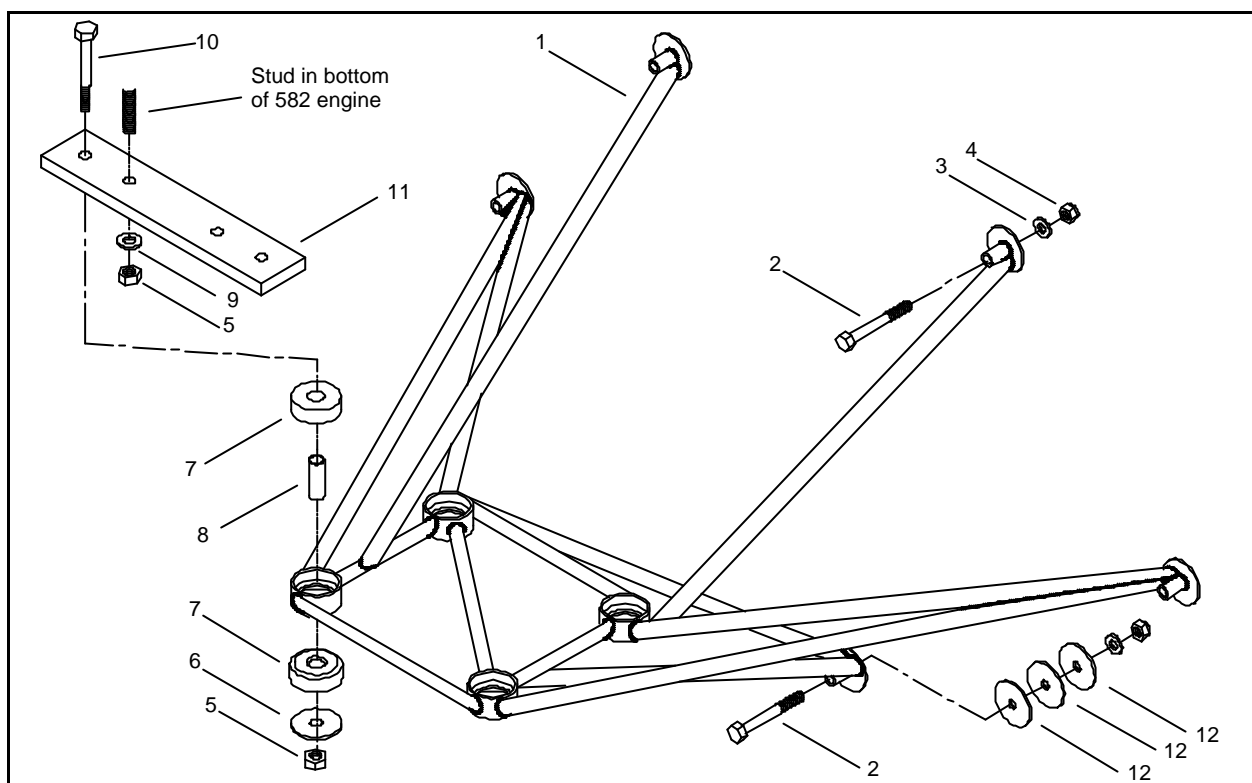


Fig Ref No:	Part Number	Part description	Qty Per assembly	Notes
1	EM-1-1	Engine mount weldment, 582/618	1	
2	B870	Bolt 8 x 70	5	
3	W008	Washer M8	5	
4	NY008	Nylock M8	5	
5	NY010	Nylock M10	8	
6	FW010E1	Fender washer. M10 x 40 x 3mm	4	
7	EM-5	Isolator rubbers	8	
8	EM-4	Spacer tube. Ø 14 x 35	4	
9	W010		4	
10	B1075	Bolt 10 x75	5	
11	EM-3	Aluminium bar 12 x 50 250mm	2	Mounts to 582 engine
12	Fw008	Fender washer M8 x 40 x 2	3	Tail dragger a/c only