

**BUSHBABY PARTS CATALOGUE – CONTROL ASSEMBLY**

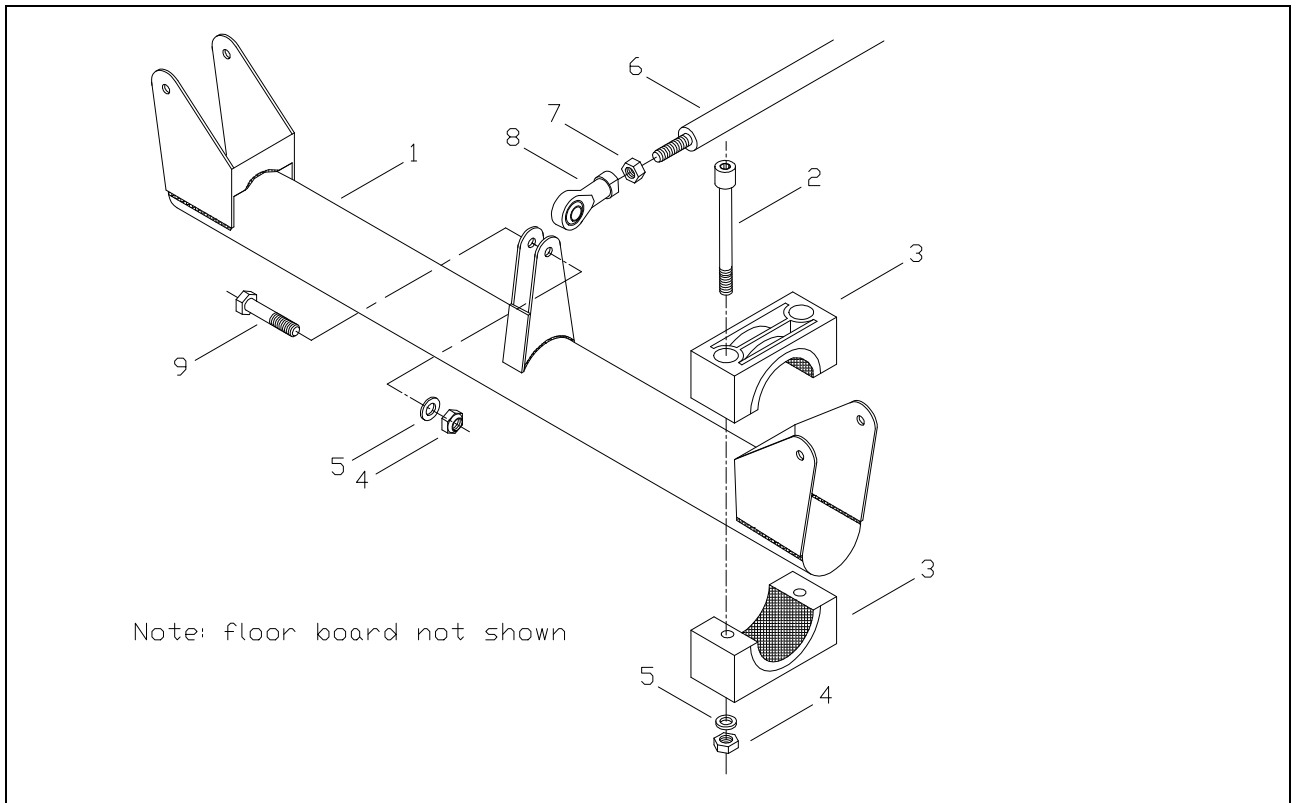


Fig Ref No:	Part Number	Part description	Qty Per assembly	Notes
1	FCC	Control column	1	
2	C0665	Cap screw M6 x 65	4	
3	FBR-1	Nylon block. Blue	2	Set (off 2)
4	NY006	Nylock M6	5	
5	W006	Washer M6	5	
6	FCT-6	Push-pull tube. Elevator, front half	1	
7	N006	Nut M6	1	
8	FC-1	Rod-end bearing. female	1	
9	B0625	Bolt 6 x 25	1	

**Control column assembly**

**BUSHBABY PARTS CATALOGUE – CONTROL ASSEMBLY**

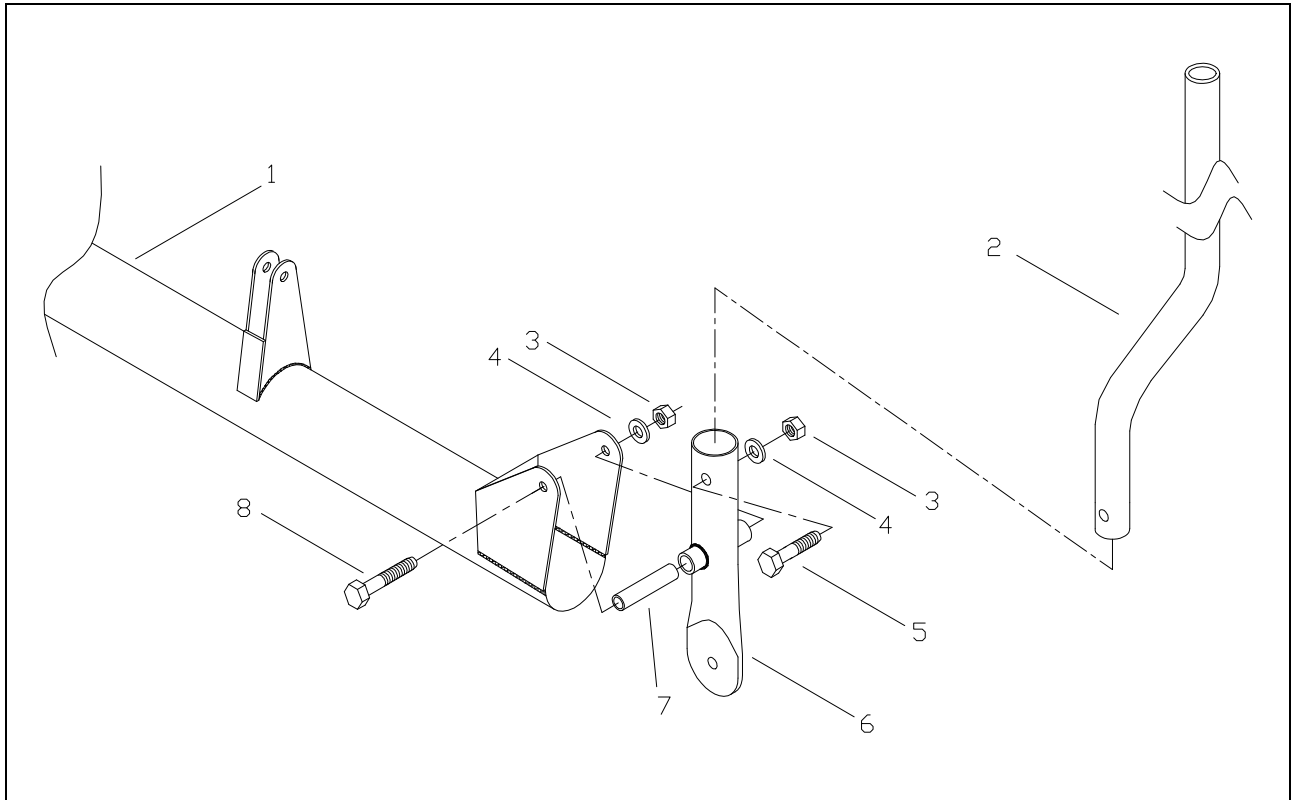


Fig Ref No:	Part Number	Part description	Qty Per assembly	Notes
1	FCC	Control column	1	
2	FCS-B	Control stick	1	
3	NY006	Nylock M6	2	
4	W006	Washer M6	2	
5	B0635F1	Bolt 6 x 35	1	
6	FCS-A	Control stick housing	2	
7	BB8039	Bronze bush 8 x 39mm	2	
8	B0660	Bolt 6 x60	2	

**Control Stick assembly**

**BUSHBABY PARTS CATALOGUE – CONTROL ASSEMBLY**

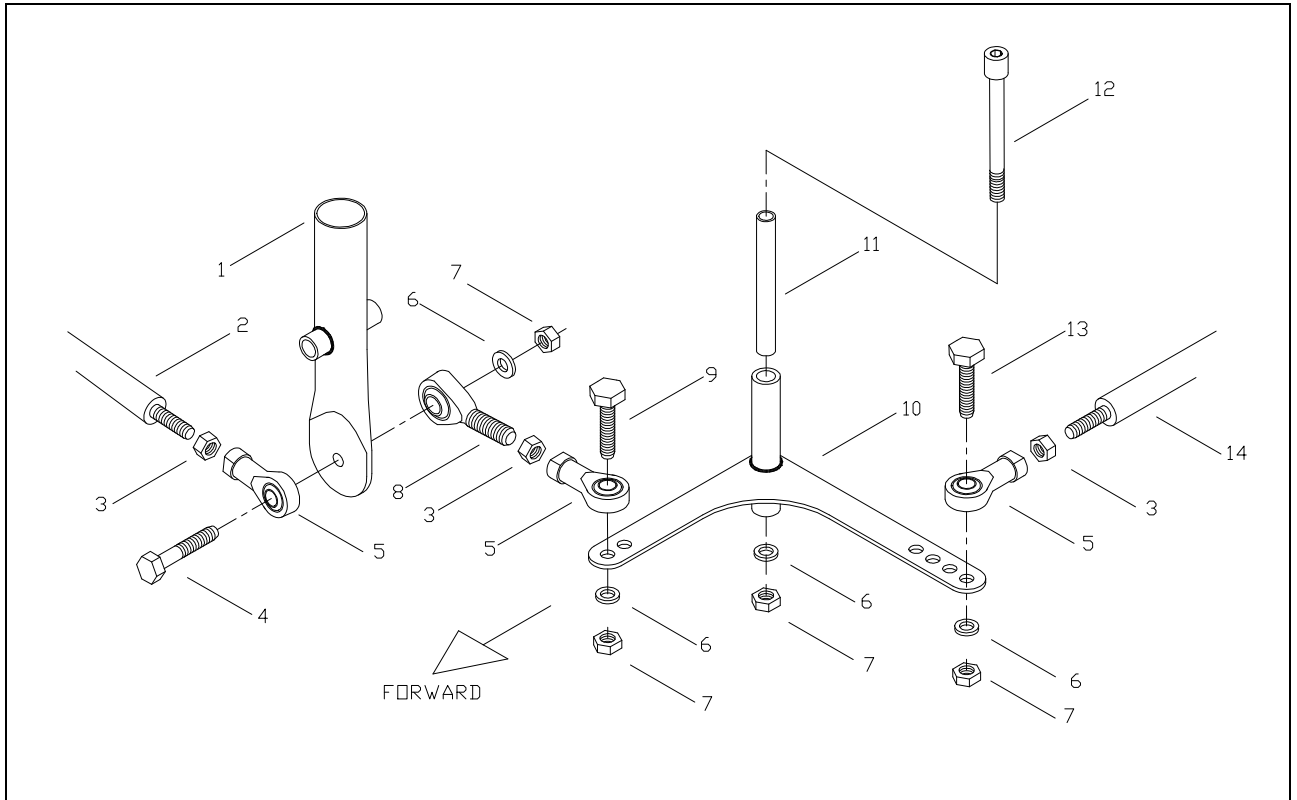


Fig Ref No:	Part Number	Part description	Qty Per assembly	Notes
1	FCS-A	Control stick housing	2	
2	FCT-1	Push-pull tube 350mm	1	
3	N006	Nut M6	3	
4	B0630	Bolt M6 x 30	1	
5	FC-1	Rod-end bearing. Female M6	3	
6	W006	Washer M6	4	
7	NY006	Nylock M6	4	
8	FC-2	Rod-end bearing. Male M6	1	
9	B0625	Bolt M6 x 25	1	
10	FBC-1	Bell crank. Aileron	1	
11	BB069	Bronze bush. 8 x 69mm	1	
12	B0680F1	Bolt M6 x 80	1	
13	B0625	Bolt m6 x 25	1	
14	FCT-2	Push-pull tube. Aileron 780mm	1	

**Control bell-crank assembly**

**BUSHBABY PARTS CATALOGUE – CONTROL ASSEMBLY**

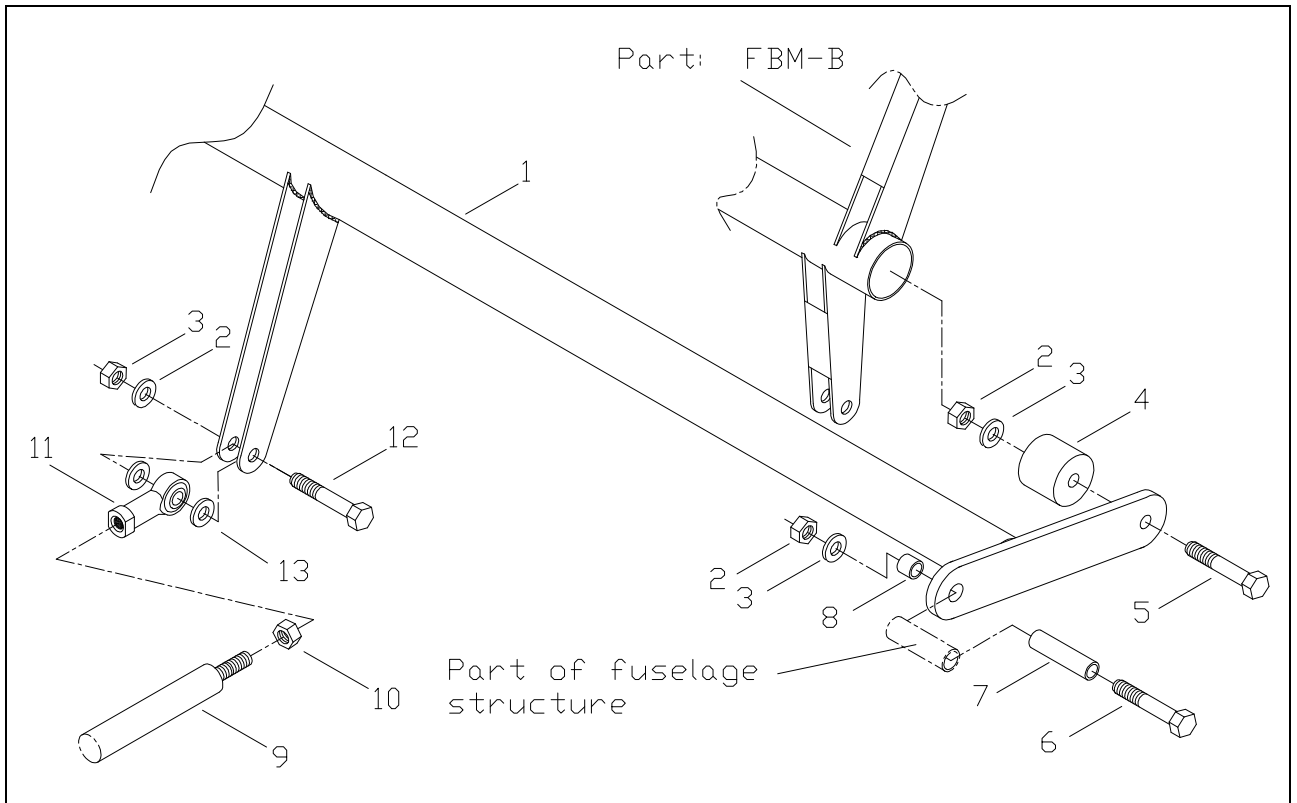


Fig Ref No:	Part Number	Part description	Qty Per assembly	Notes
1	FBM-A	Mixer, flap	1	
2	NY006	Nylock, M6	4	
3	W006	Washer, M6	4	
4	FBR-2	Bearing, $\varnothing$ 23 x 20. Nylon	2	
5	B0635	Bolt 6 x 35	2	
6	B0650	Bolt 6 x 50. FBM-A / fuselage	2	
7	FBR-4	Nylon tube. $\varnothing$ 8 x 40mm	2	
8	BB8007	Bronze Bush $\varnothing$ 8 x 7mm	2	
9	FCT-3	Push-Pull tube, 700mm	1	To flap handle
10	N006	Lock nut. M6	1	
11	FC-1	Rod-end. Female M6	1	
12	B06525	Bolt 6 x 25	1	
13	W006	Washer M6	2	Only needed to take up play

**Flap mixer assembly**

BUSHBABY PARTS CATALOGUE – CONTROL ASSEMBLY

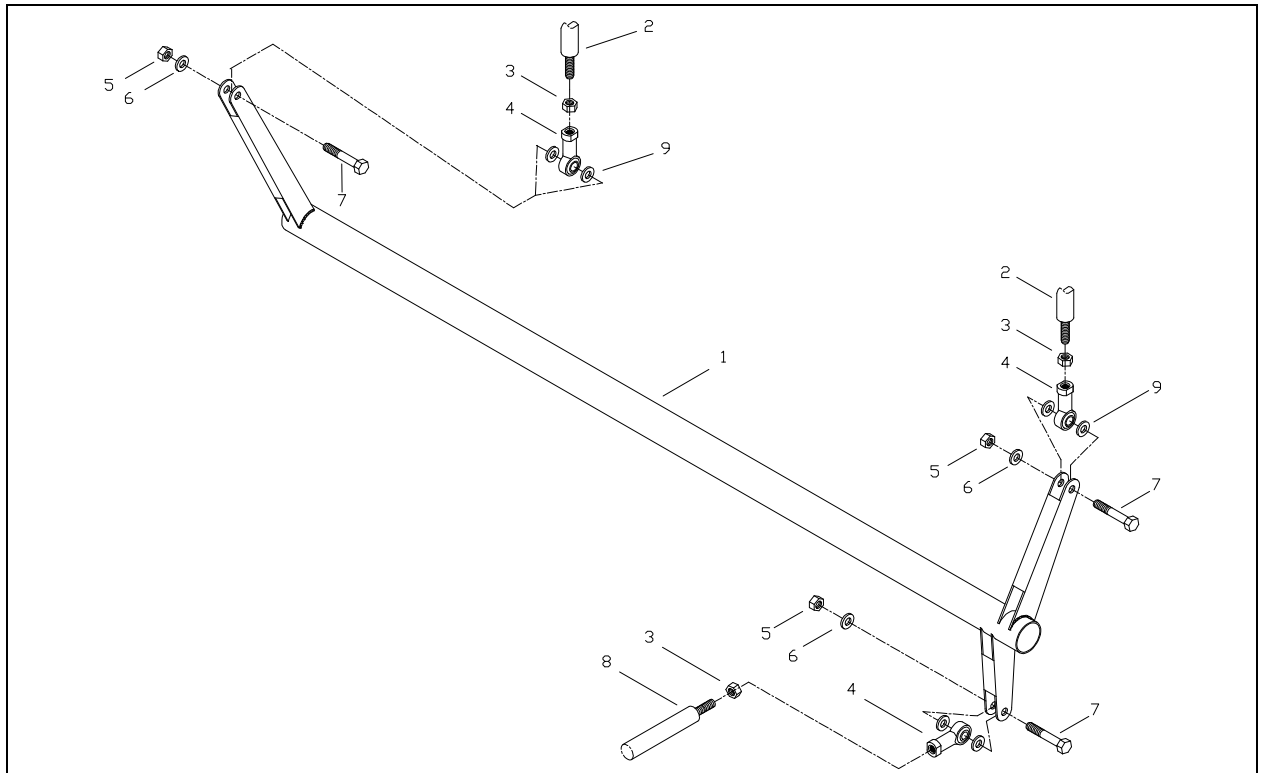


Fig Ref No:	Part Number	Part description	Qty Per assembly	Notes
1	FBM-B	Mixer, aileron	1	
2	FCT-4	Push-pull tube	2	
3	N006	Lock nut. M6	3	
4	FC-1	Rod –end bearing. M6 female	3	
5	NY006	Nylock M6	3	
6	W006	Washer M6.	3	
7	B0625	Bolt 6 x 25	3	
8	FCT-2	Push-pull tube. Aileron control	1	To front Bell-crank FBC-1
9	W006	Washer M6	6	Used only if spacer needed.

**Aileron mixer assembly**

BUSHBABY PARTS CATALOGUE – CONTROL ASSEMBLY

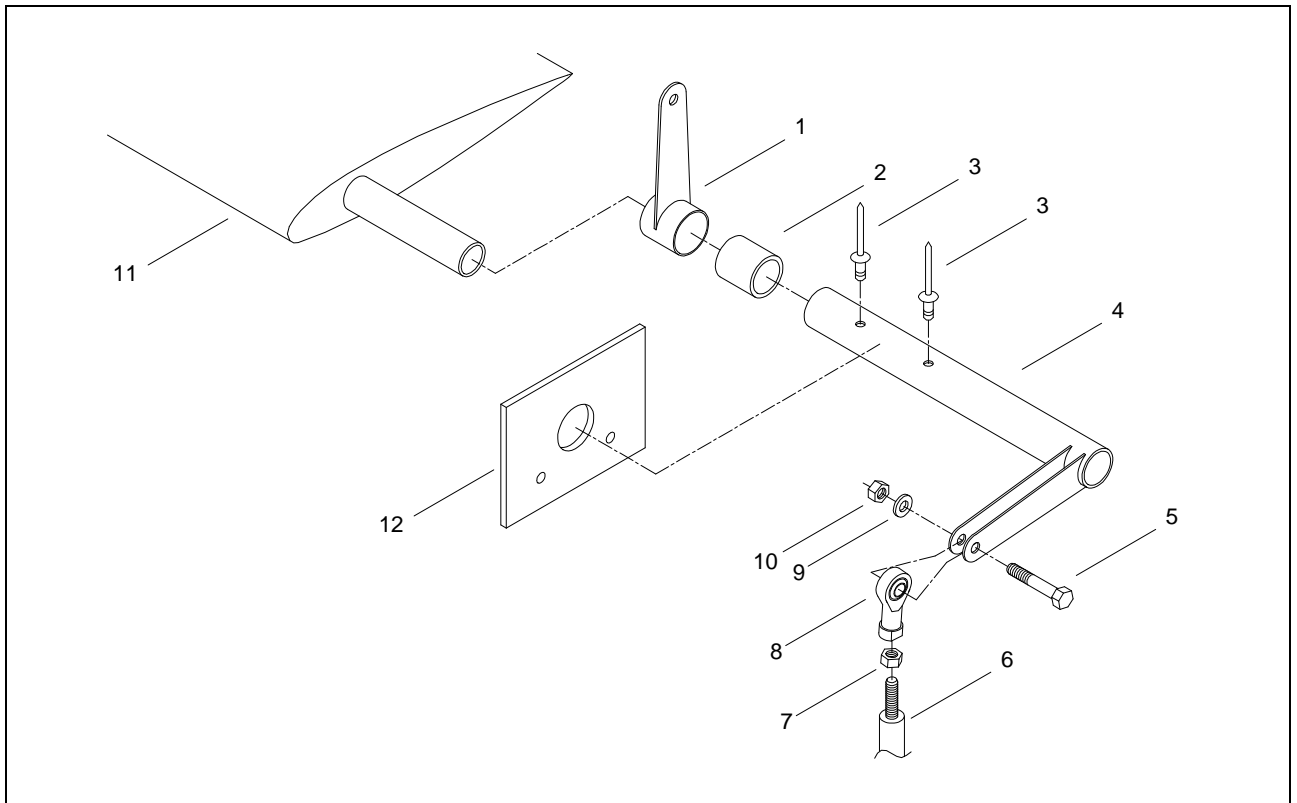


Fig Ref No:	Part Number	Part description	Qty Per assembly	Notes
1	WFL-5	Flapperon hanger	1	
2	WFL-7	Nylon bearing, flapperon hanger	1	
3	SS4808	Rivet steel, 4.8 x 8mm	4	Bottom 2 not shown
4	WFL-2	Control horn, flapperon	1	
5	B0625	Bolt 6 x 25	1	
6	FCT-4	Push-pull tube	1	
7	N006	Lock nut, 6mm	1	
8	FC-1	Rod-end bearing, 6mm female	1	To FBM-B mixer
9	W006	Washer 6mm	1	
10	WI006	Wing nut, 6mm	1	
11	WFL-1	flapperon	1	Right hand shown
12	WFL-8	Bearing, 4mm nylon sheet	1	

**Flapperon control horn assembly, right hand**

BUSHBABY PARTS CATALOGUE – CONTROL ASSEMBLY

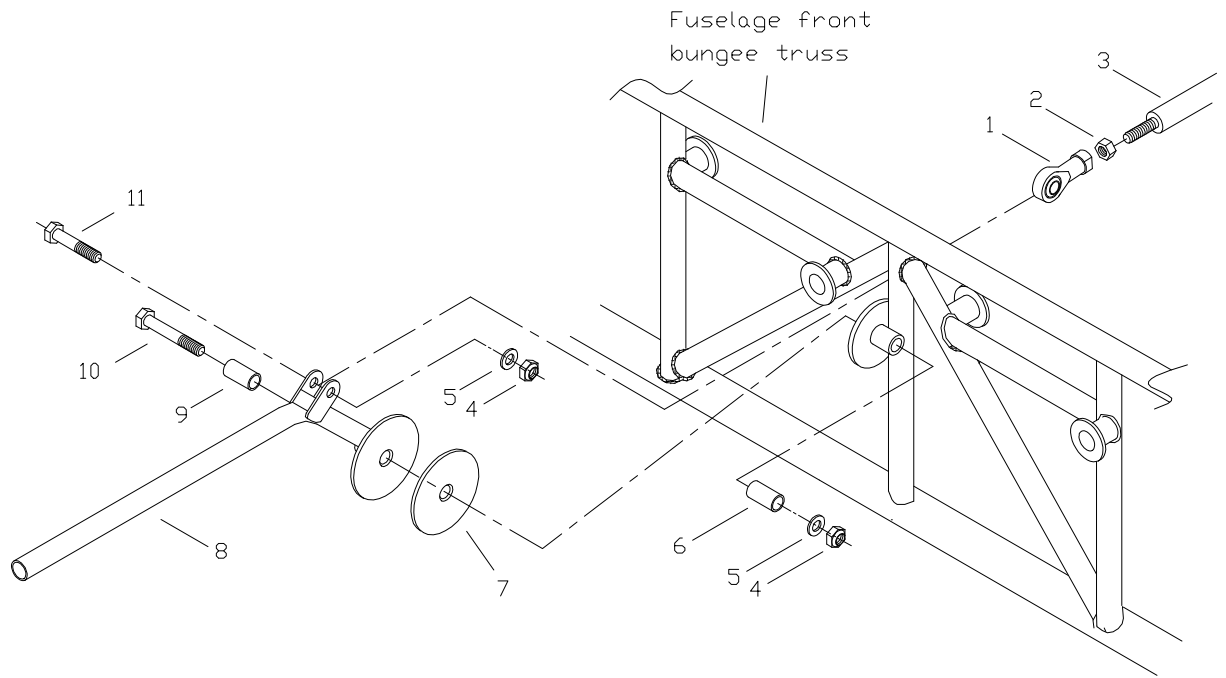


Fig Ref No:	Part Number	Part description	Qty Per assembly	Notes
1	FC-1	Rod-end bearing. Female	1	
2	N006	Nut M6	1	
3	FCT-6	Push-pull tube	1	
4	NY006	Nylock M6	2	
5	W006	Washer M6	2	
6	FBR-4	Nylon tube ø8 x 1mm.	1	
7	LE040	Leather washer 40mm	1	
8	FLP	Flap handle	1	
9	FBR-4	Nylon tube ø8 x 1mm.	1	
10	B0650	Bolt 6 x 50	1	
11	B0625	Bolt 6 x 25	1	