

BUSHBABY PARTS CATALOGUE – UNDERCARRIAGE ASSEMBLY

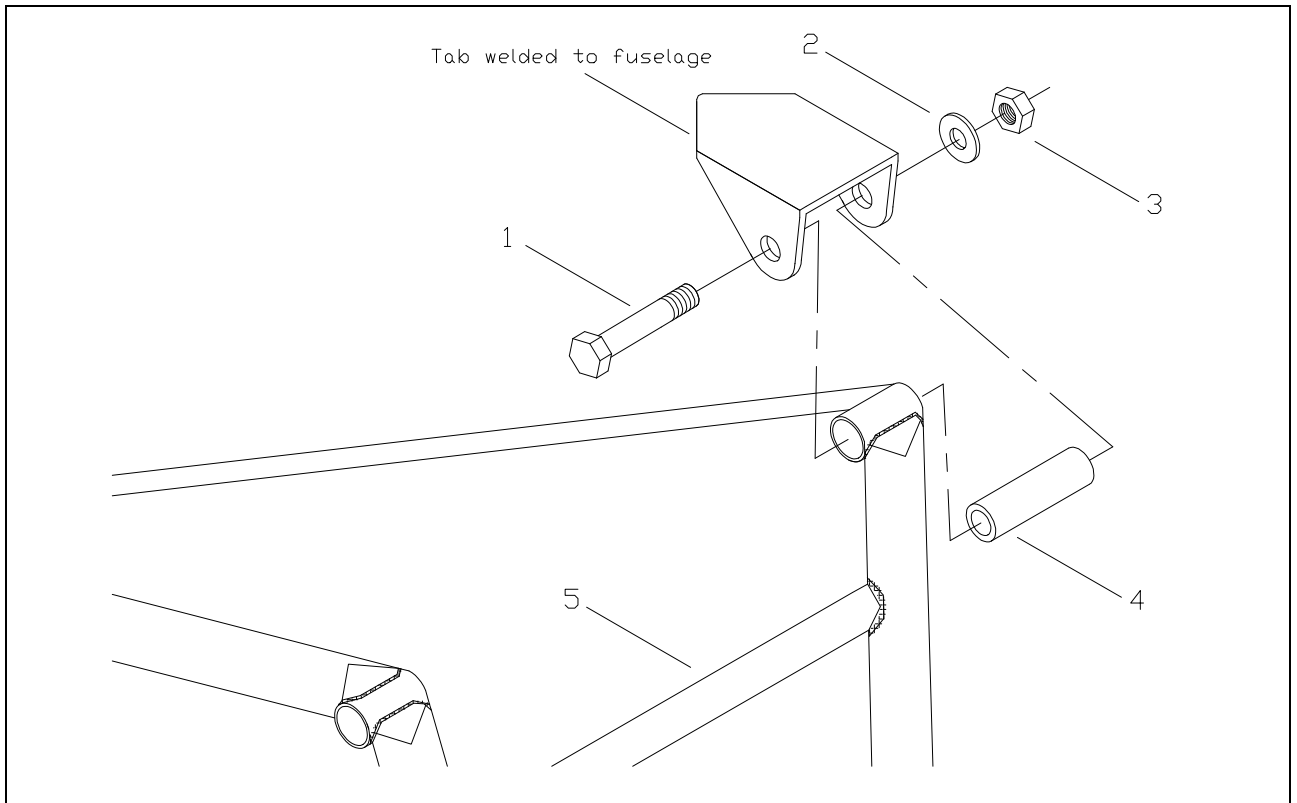


Fig Ref No:	Part Number	Part description	Qty Per assembly	Notes
1	B0870	Bolt 8 x 70	2	
2	W008	Washer M8	2	
3	NY008	Nylock M8	2	
4	BB1240	Bronze bush \varnothing 12 x 40mm	2	
5	LML-1L	Landing gear leg. T/d left	1	Left hand shown

MAIN LEG ASSEMBLY, UPPER

BUSHBABY PARTS CATALOGUE – UNDERCARRIAGE ASSEMBLY

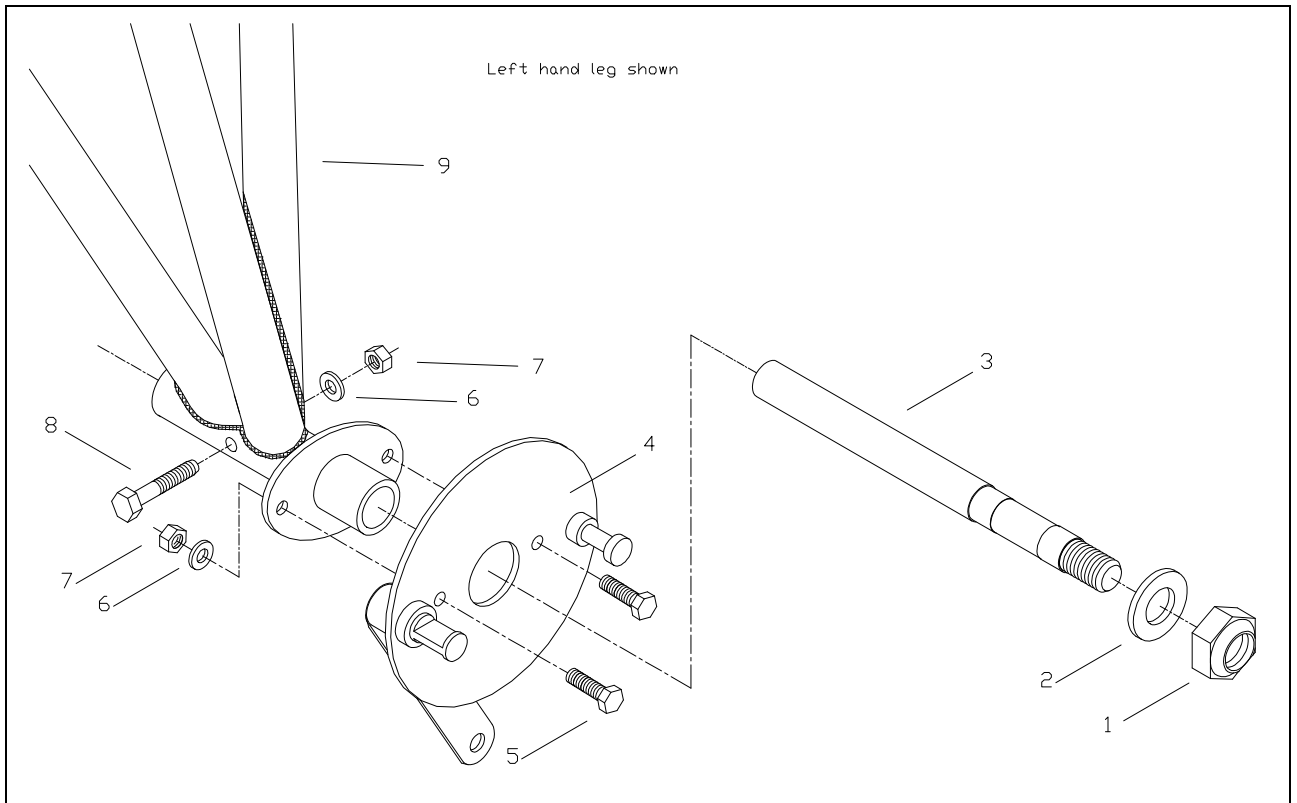


Fig Ref No:	Part Number	Part description	Qty Per assembly	Notes
1	NY012	Nylock m12	1	
2	W012	Washer M12	1	
3	LMG-8	Axle	1	
4	LB-2L	Brake backing plate. left	1	
5	B0620	Bolt 6 x 20	2	
6	W006	Washer M6	3	
7	NY006	Nylock M6	3	
8	B0645	Bolt 6 x65	1	
9	LML-1L	Landing gear leg. Tail dragger LH	1	

MAIN LEG ASSEMBLY, LOWER

BUSHBABY PARTS CATALOGUE – UNDERCARRIAGE ASSEMBLY

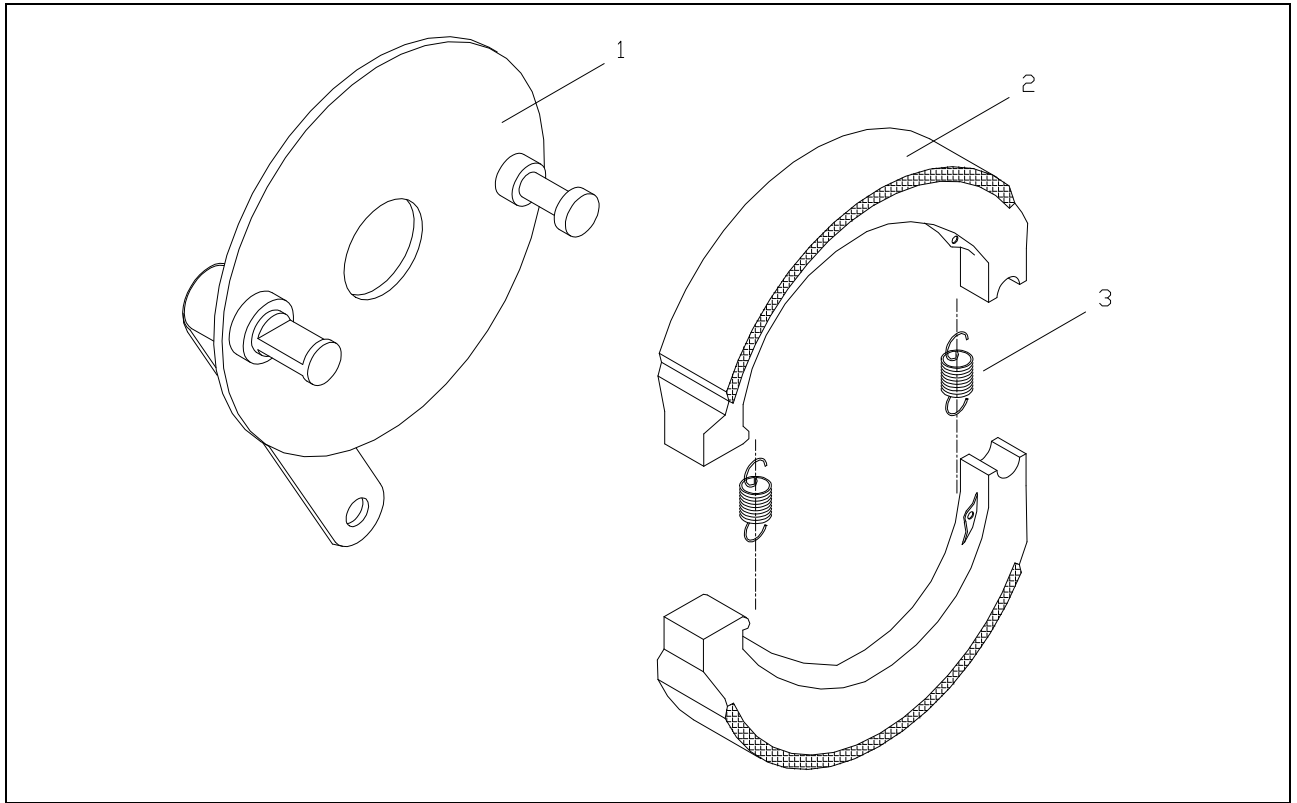


Fig Ref No:	Part Number	Part description	Qty Per assembly	Notes
1	LB-2L	Brake flange: left Hand	2	
2	LB-4	Brake shoes (set)	2	
3	LB-7	Spring, retain brake shoes	2	

BRAKE SHOE ASSEMBLY

BUSHBABY PARTS CATALOGUE – UNDERCARRIAGE ASSEMBLY

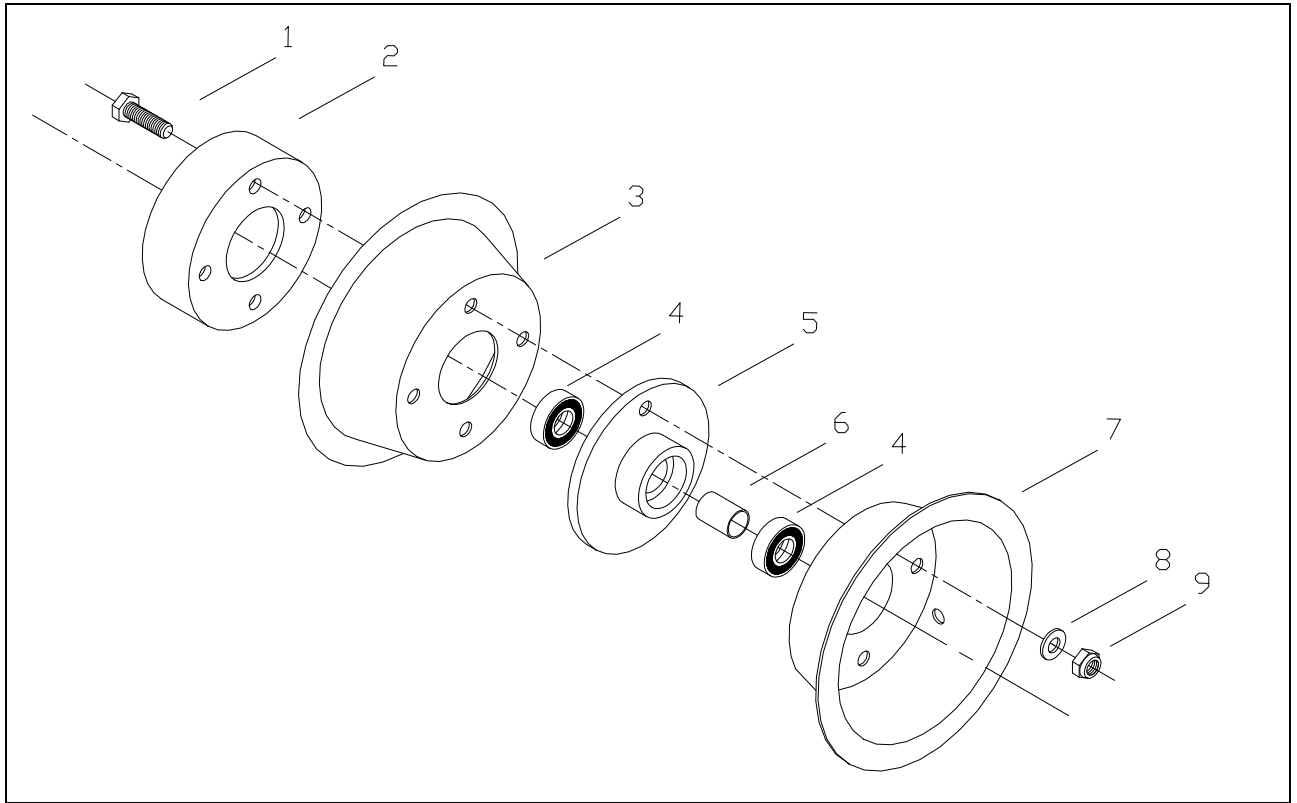


Fig Ref No:	Part Number	Part description	Qty Per assembly	Notes
1	B1O35M1	Bolt 10 x 35; rim, hub, brake drum	4	
2	LB-5	Brake drum	1	
3	LMW-5A	Rim 6", inner	1	
4	LMW-1	Bearing, 6205 DDU	2	
5	LMW-2	Hub, aluminium	1	
6	LMW-6	Spacer tube, ø 19 aluminium	1	
7	LMW-5B	Rim 6", outer. With valve hole	1	
8	W010	Washer M10	4	
9	NY010	Nylock M10	4	

WHEEL ASSEMBLY

BUSHBABY PARTS CATALOGUE – UNDERCARRIAGE ASSEMBLY

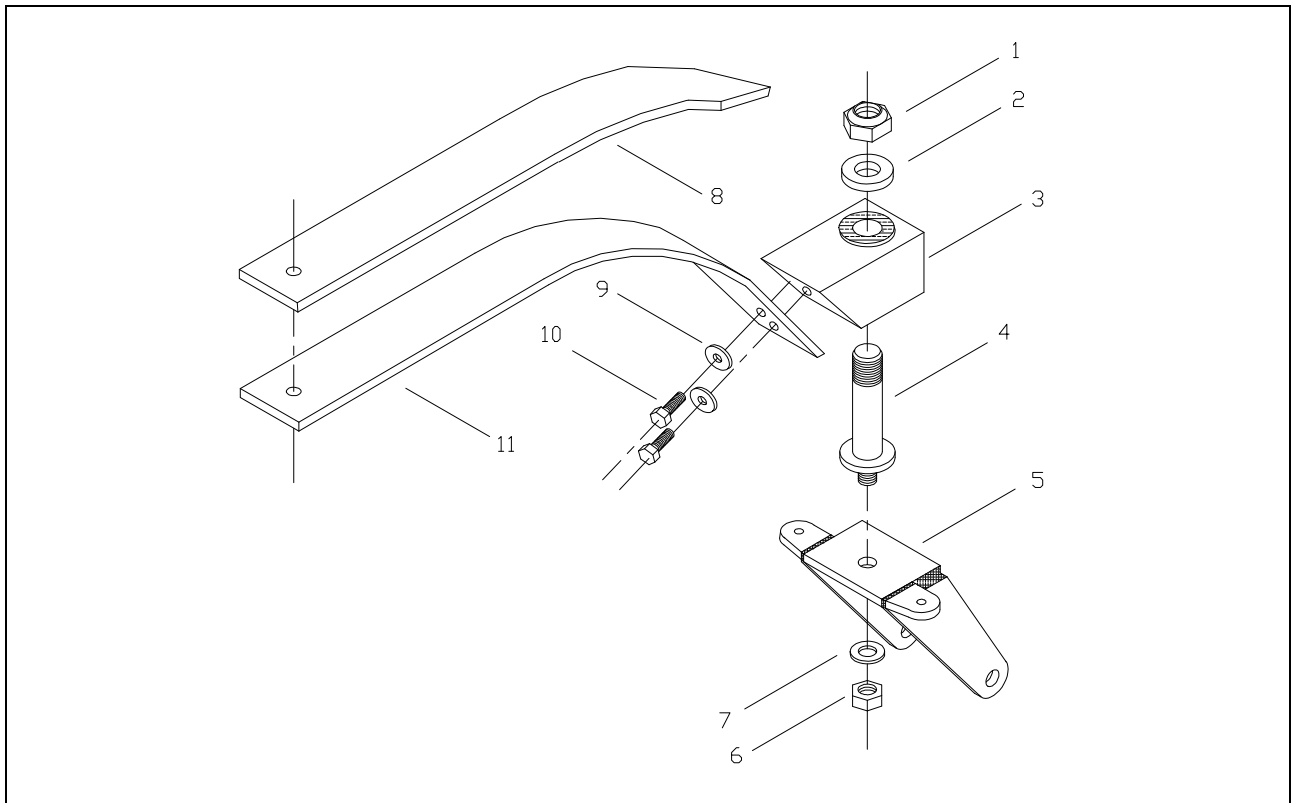


Fig Ref No:	Part Number	Part description	Qty Per assembly	Notes
1	NY016T1	Nylock M16	1	
2	W016	Washer M16	1	
3	LTB-1	Steering block with bronze bush	1	
4	LTB-4	Pivot shaft	1	
5	LTW-3	Fork, tail wheel	1	
6	NY010	Nylock M10	1	
7	W010	Washer M10	1	
8	LTW-1A	Doubler spring	1	
9	W008	Washer M8	2	
10	B0825T1	Bolt 8 x 25	2	
11	LTW-1	Leaf spring	1	

STEERING BLOCK ASSEMBLY

BUSHBABY PARTS CATALOGUE – UNDERCARRIAGE ASSEMBLY

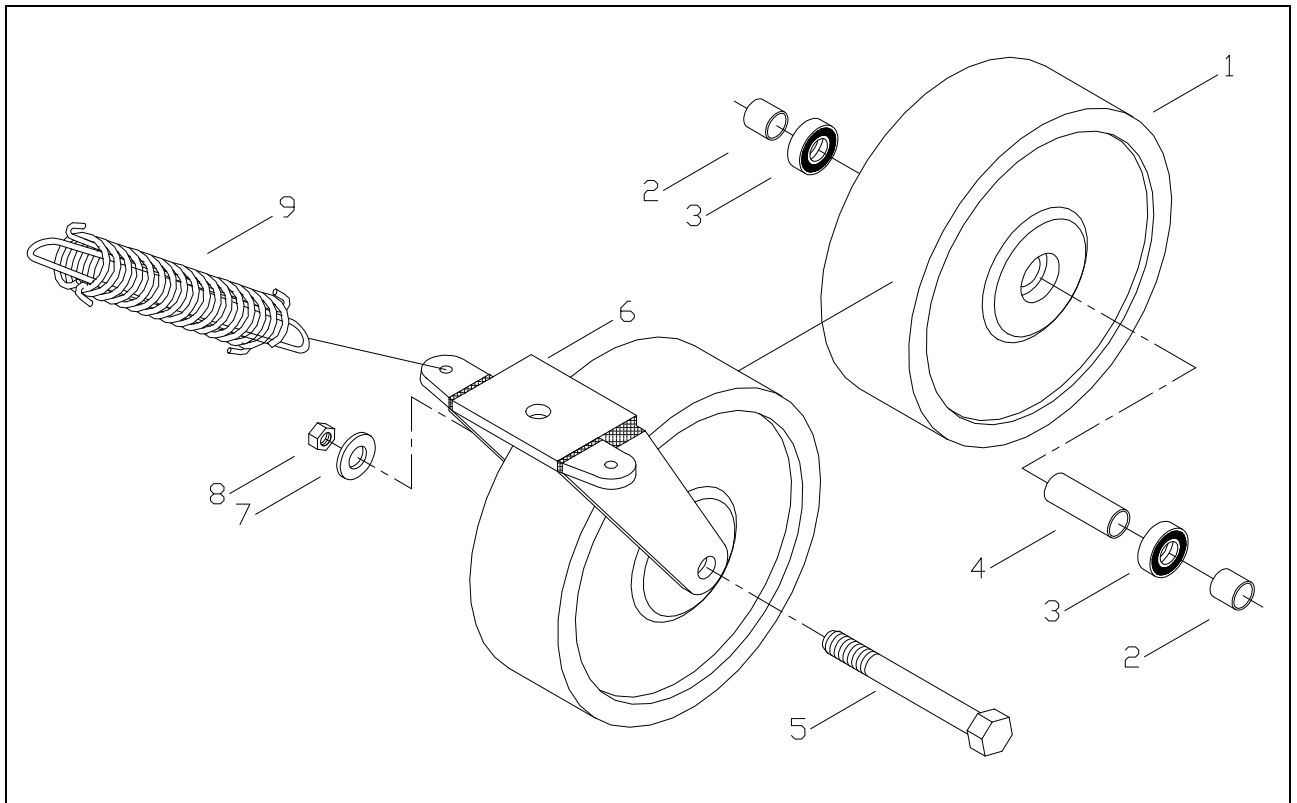


Fig Ref No:	Part Number	Part description	Qty Per assembly	Notes
1	LTW-4	Tail wheel \varnothing 150mm		
2	LTW-8	Steel spacer \varnothing 12.7mm.	2	Between fork & bearing
3	LTW-9	6002 bearing	2	
4	LTW-8A	Steel spacer. \varnothing 12.7mm	1	Between bearings
5	B1090	Bolt 10 x 90	1	
6	LTW-3	Fork, tail wheel	1	
7	W010	Washer M10	1	
8	NY010	Nylock M10	1	
9	LTW-5	Spring, compression	2	

TAIL WHEEL ASSEMBLY

BUSHBABY PARTS CATALOGUE – UNDERCARRIAGE ASSEMBLY

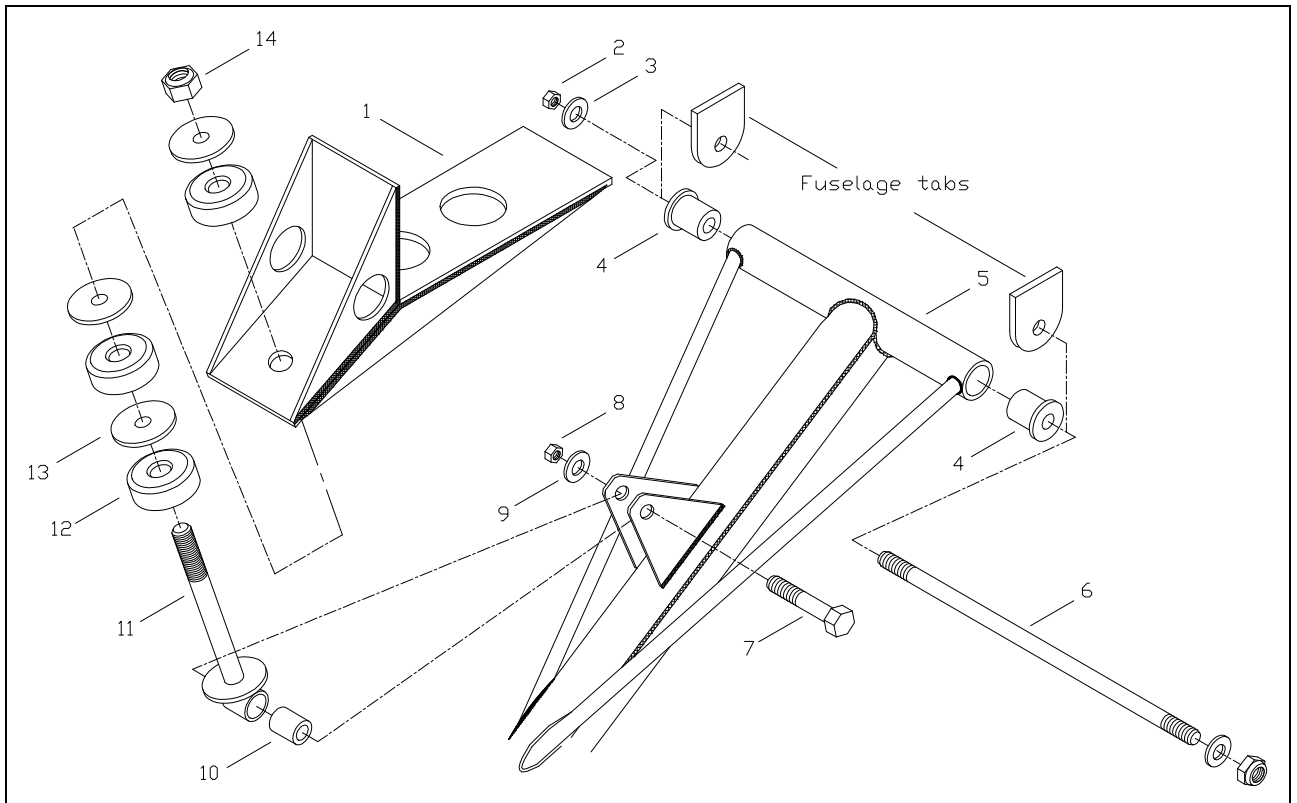


Fig Ref No:	Part Number	Part description	Qty Per assembly	Notes
1	LNW-13	Suspension bracket	1	
2	NY010	Nylock 10mm	2	
3	W010	Washer 10mm	2	
4	LNW-16	Nylon bush	2	
5	LNW-5	Shock strut	1	
6	LNW-18	Pivot rod. Ø 10mm	1	
7	B1050	Bolt 10 x 50	1	
8	NY010	Nylock M10	1	
9	W010	Washer M10	1	
10	BB1620	Bronze bush ø 16 x 20mm	1	
11	LNW-7A	Guide	1	
12	LNW-14	Compression rubbers	4-6	Same as EM-5
13	FW012	Fender washer M12 x 40 x 3mm	4-6	
14	NY012	Nylock M12	1	

NOSE GEAR ASSEMBLY, upper

BUSHBABY PARTS CATALOGUE – UNDERCARRIAGE ASSEMBLY

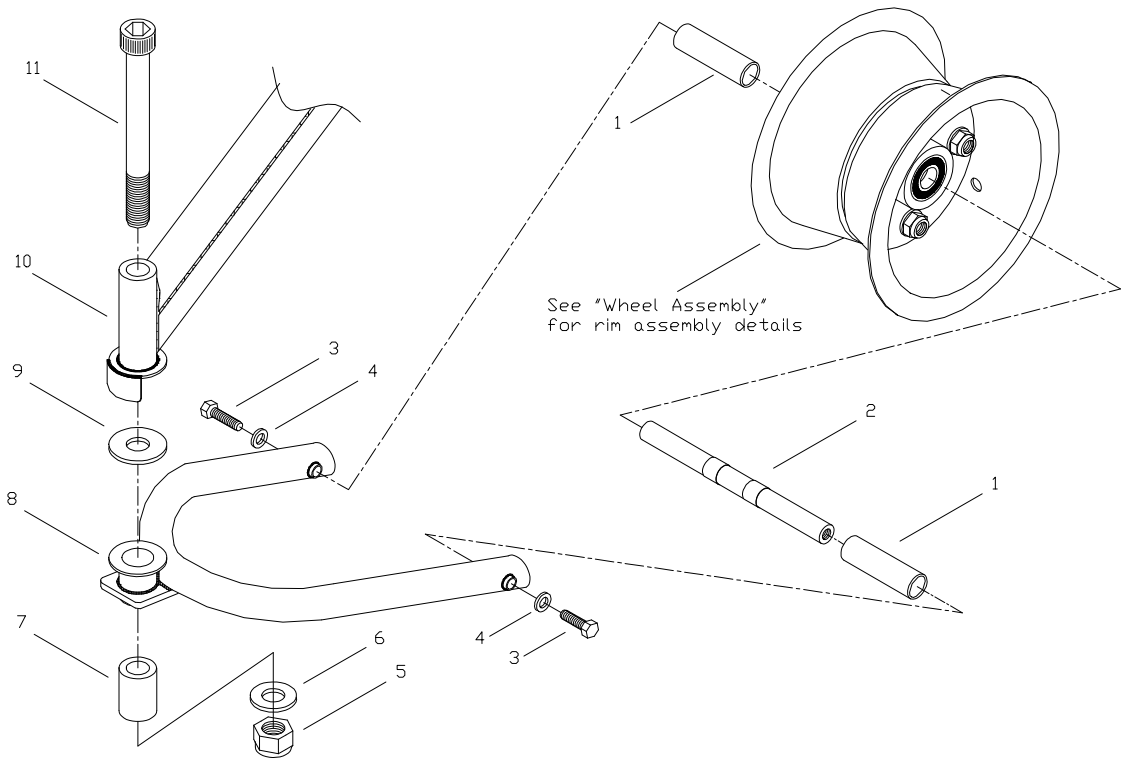


Fig Ref No:	Part Number	Part description	Qty Per assembly	Notes
1	LNW-10	Spacer tube.	2	Between rim & bearing
2	LNW-9	Axle, nose wheel	1	
3	B0825	Bolt 8 x 25	2	
4	W008	Washer M8	2	
5	NY016	Nylock M12	1	
6	W012	Washer M12	1	
7	BB2144	Bronze bush	1	
8	LNW-2	Fork weldment, nose gear	1	
9		Bronze washer	1	Part of BB2144
10	LNW-5	Shock strut	1	
11	C16150	Cap screw M16 x 150	1	

NOSE GEAR ASSEMBLY, lower

BUSHBABY PARTS CATALOGUE – UNDERCARRIAGE ASSEMBLY

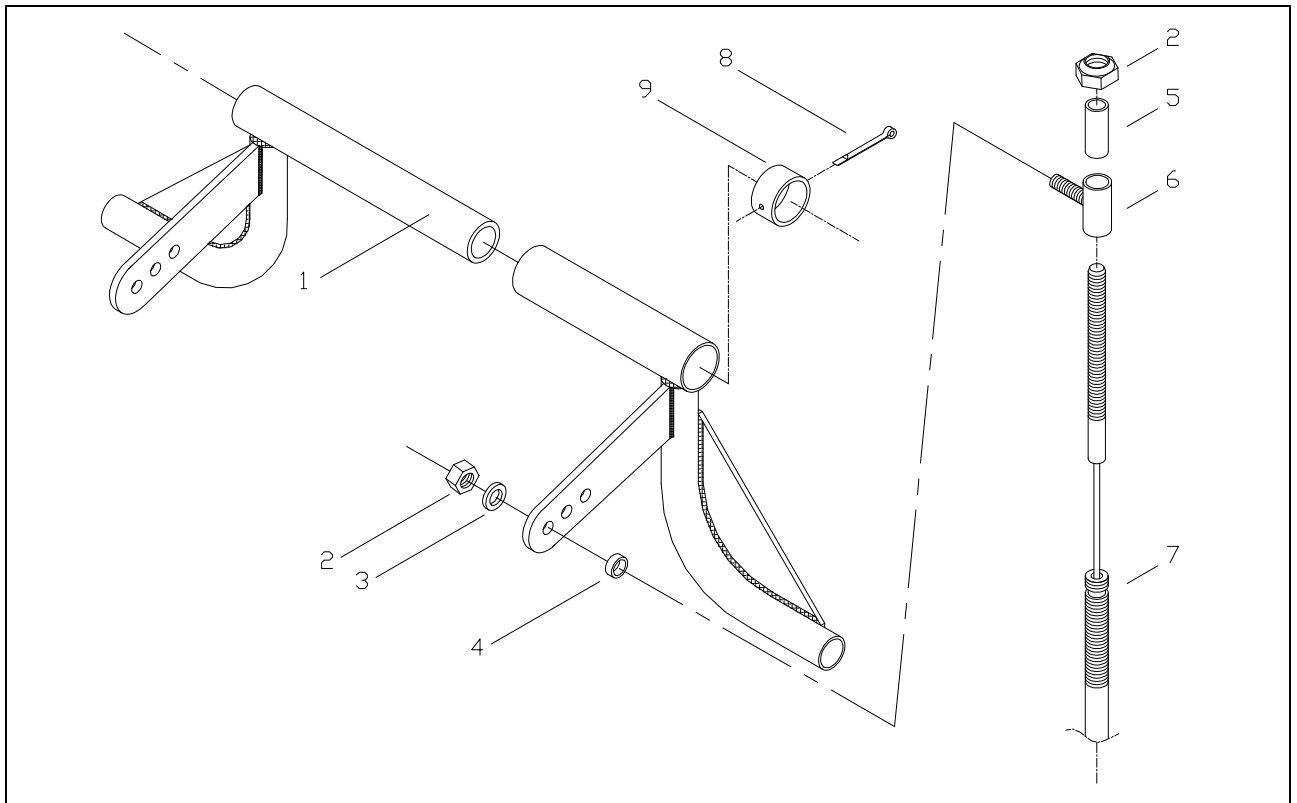


Fig Ref No:	Part Number	Part description	Qty Per assembly	Notes
1	LB-1	Brake pedal. Two part	1	
2	NY006	Nylock M6	4	
3	W006	Washer M6	4	
4	BB8003	Bronze bush \varnothing 8 x 3mm	2	
5		Nylon tube \varnothing 8 x 20mm	2	
6	LB-9	Pivot bolt	2	
7	LBL-6	Brake cable – left	1	
	LBL-6	Brake cable – left	1	NOT SHOWN
8	LB-8	Collar \varnothing 19 x 10mm	1	
9	SP002	Split pin	1	

BRAKE PEDAL ASSEMBLY